

COLLECTION VELOUR TOUCH

by LECXECO

3 ultra-matte solid
colors



Black - VT03

5 door models show
on the reverse side



Cotton mist - VT02

Best lead times
in the industry



Cashmere dusk - VT01

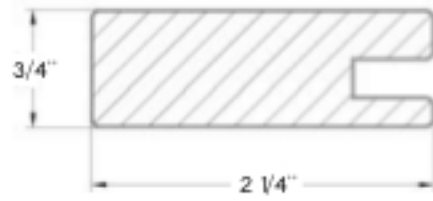
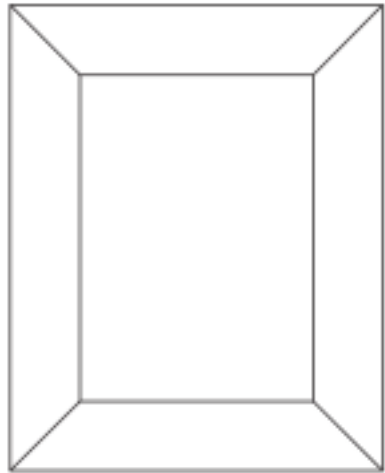
Second to none
assembly quality

LECXECO INC.

COLLECTION VELOUR TOUCH

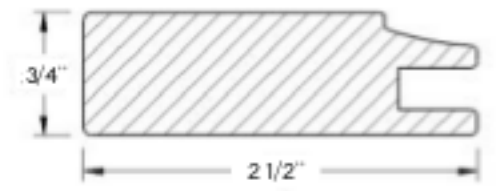
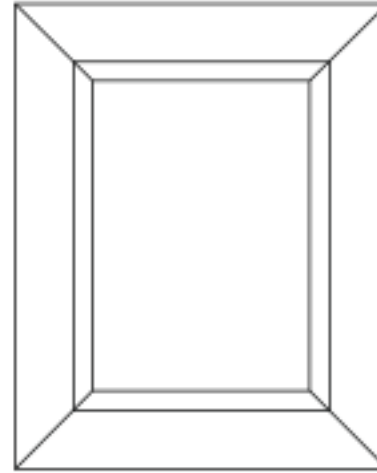
by LECXECO

XL 400



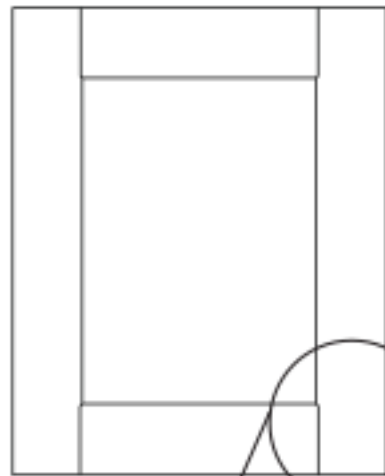
Minimum		Maximum	
Height	Width	Height	Width
4 5/8"	4 5/8"	72"	50 1/2"
117 mm	117 mm	1829 mm	1283 mm

XL 500



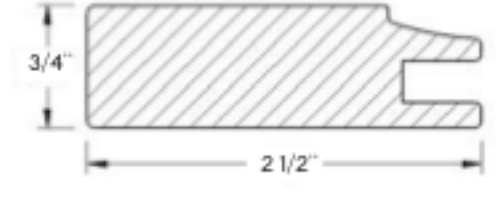
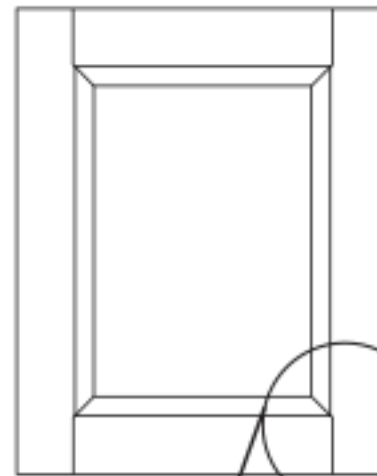
Minimum		Maximum	
Height	Width	Height	Width
5 1/8"	5 1/8"	72"	51"
130 mm	130 mm	1829 mm	1295 mm

NEW XL 490



Minimum		Maximum	
Height	Width	Height	Width
5 1/2"	6 3/4"	72"	50 1/2"
140 mm	171 mm	1829 mm	1283 mm

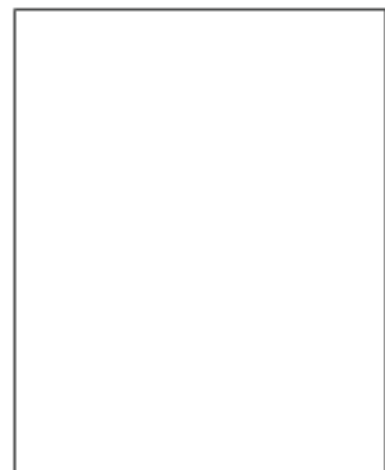
NEW XL 590



Minimum		Maximum	
Height	Width	Height	Width
6"	6 3/4"	72"	51"
152 mm	171 mm	1829 mm	1295 mm

- 90° French cut style doors
- MDF on MDF adhered and assembled for improved durability
- Precise joints for heightened visual appearance
- Edgbanding installed with PUR adhesive applicator

SLAB



Minimum		Maximum	
Height	Width	Height	Width
3 3/4"	3 3/4"	95"	47"
95 mm	95 mm	2413 mm	1194 mm

The edgbanding used on our melamine doors is applied with a PUR (Polyurethane Reactive) adhesive applicator.



High temperature resistance



Invisible glue lines



Superior protection against moisture



Advanced adhesive holding strength

-Pay only for the square footage ordered. - Contact your distributor for samples.
-No guarantee on doors over 50 inches.

LECXECO INC.